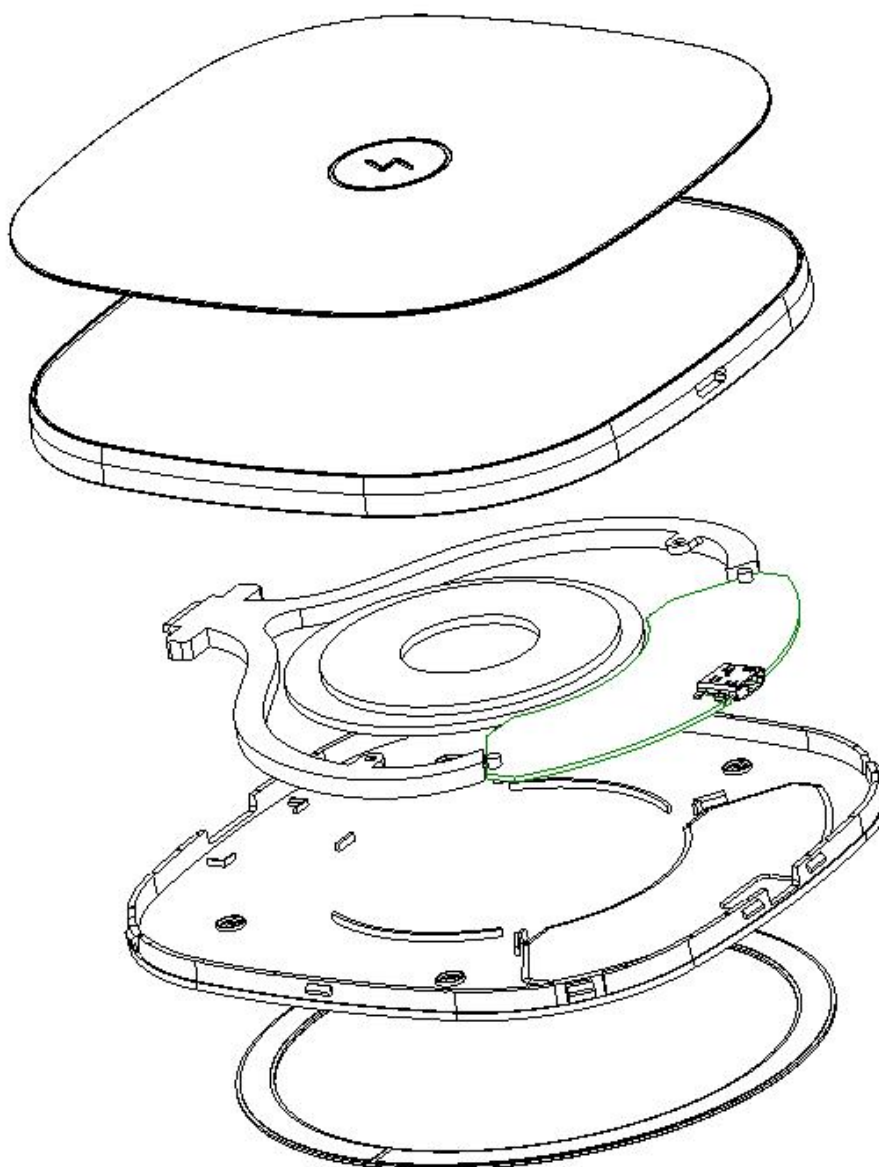


Shenzhen Lantaisi Technology Co., Ltd

TS01 Specification

Desktop Wireless Charger



Shenzhen Lantaisi Technology Co., Ltd

TS01 Specification

1. Product Introduction

TS01(Cloth leather) is a desktop wireless fast charging transmitter. The wireless transmission scheme is compatible and conforms to the Qi standard. It supports wireless quick charging, which can realize the quickly charging for wireless charging devices. Simple and generous design, easy to operate, to ensure a good experience of wireless charging.

2. Transmission Specification

Item	Specification
Charging standard	Qi-BPP/ Samsung quick charge
Input	DC 5V-2A, DC 9V-1.67A
Input voltage	5V/9V
Interface	Micro-USB (support QC2.0 above)
Max. output power	10W
Static power consumption	<0.2W
Charging distance	5-8mm
Charging conversion rate	≥80%
Charging area	10mm*10mm
Supported device	1 pc
Certificate	Qi/ CE/FCC/RoHS
Coil type	A11 Coil module
Coil quantity	1 pc
Product size	Ø100*H7.5mm
Protection function	Over-current, over-voltage, over temperature, shortcut, FOD etc.

Shenzhen Lantaisi Technology Co., Ltd

TS01 Specification

3. Adapter Specification

Input voltage: 100Vac –240Vac

Output voltage: 5V±5%/9V±5

Rated current: 2.0A

Input frequency: 47Hz –63Hz

Standby power consumption: < 0.3W

4. Light Definition

Indicator Light		Status Indicator	Remark
Color of Light		Green/Sky blue	/
Power connected		Green and blue flash in turn then go off	/
Charging	Solid blue light	Charging process	/
	Blue Light flashes	1. An exception in charging process, the charging interrupted. 2. FOD status, interrupt charging, remove the object or RX, indicator resume to normal.	The RX position is out of place or a problem with RX, need to reposition the phone.

5. Work and Storage Condition

Work temperature: -10 to +60℃

Storage temperature: -20 to +70℃

6. Material

ABS+PC (LG engineering level fire-proof insulation) RoHS