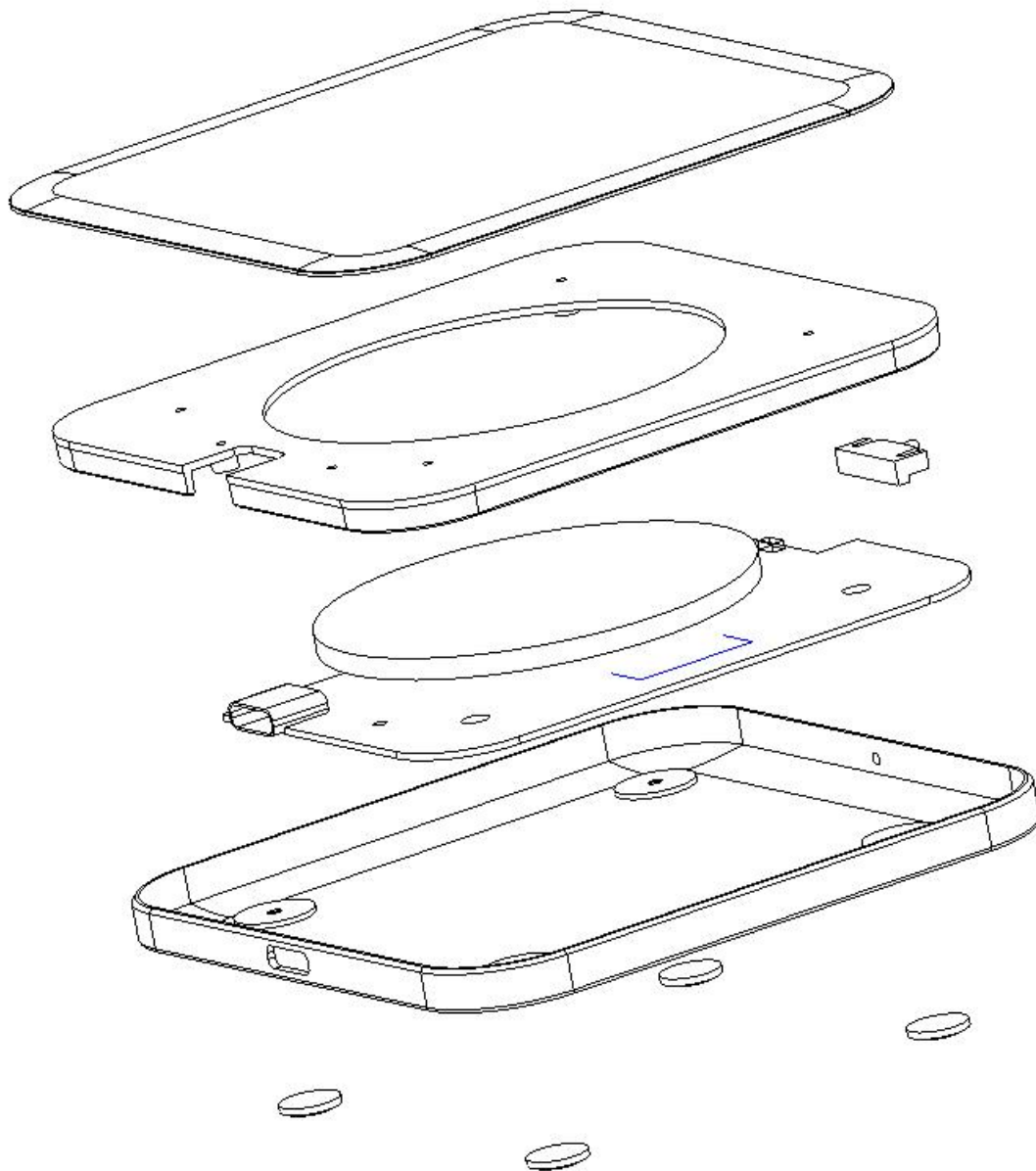


Shenzhen LANTAIS Technology Co., Ltd

DW01 Specification

Desktop Wireless Charger



Shenzhen LANTAI Technology Co., Ltd

DW01 Specification

1. Product Introduction

DW01 is a desktop wireless fast charging transmitter. The wireless transmission scheme of TS01 is compatible and conforms to the Qi standard. It supports wireless fast charging, which can realize the quickly charging of wireless charging equipment. Simple and generous design, easy to operate, to ensure a good experience of wireless charging.

2. Transmission Specification

Item	Specification
Charge standard	Qi-BPP/ Samsung quick charge
Input	DC 5V-3A, DC 9V-1.67A
Input voltage	5V/9V
Interface	Type-C -USB (Support QC2.0 above)
Max. Output watt	15W
Static power consumption	<0.2W
Charging distance	5-8mm
Charge conversion rate	$\geq 80\%$
Charging area	10mm*10mm
Supported device	1 piece
Certificate	CE/FCC/RoHS
Coil type	A11 Coil module
Coil quantity	1 piece
Product size	80*80*6.0mm
Protection function	Over-current, over-voltage, over temperature, shortcut, FOD

Shenzhen LANTASI Technology Co., Ltd

DW01 Specification

3. Adapter Specification

Input Voltage: 100Vac –240Vac

Output Voltage: 5V±5%/9V±5

Rated current: 2.0A

Input frequency: 47Hz –63Hz

Standby power consumption: < 0.3W

4. Light Definition

Indicator Light		Status Indicator	Remark
Color of Light		Green/Blue	/
Power connected		Green and blue flash in turn then go off	/
Charging	Solid blue light	Charging process	/
	Blue Light flashes	1. An exception in charging process, the charging interrupted. 2. FOD status, interrupt charging, remove the object or RX, indicator resume to normal.	The RX position is out of place or a problem with RX, need to reposition the phone.

5. Work and Storage Condition

Work temperature: -10 to +60℃

Storage temperature: -20 to +70℃

6. Material

Shenzhen LANTAI Technology Co., Ltd

DW01 Specification

ABS+PC(LG engineering level fire-proof insulation) RoHS