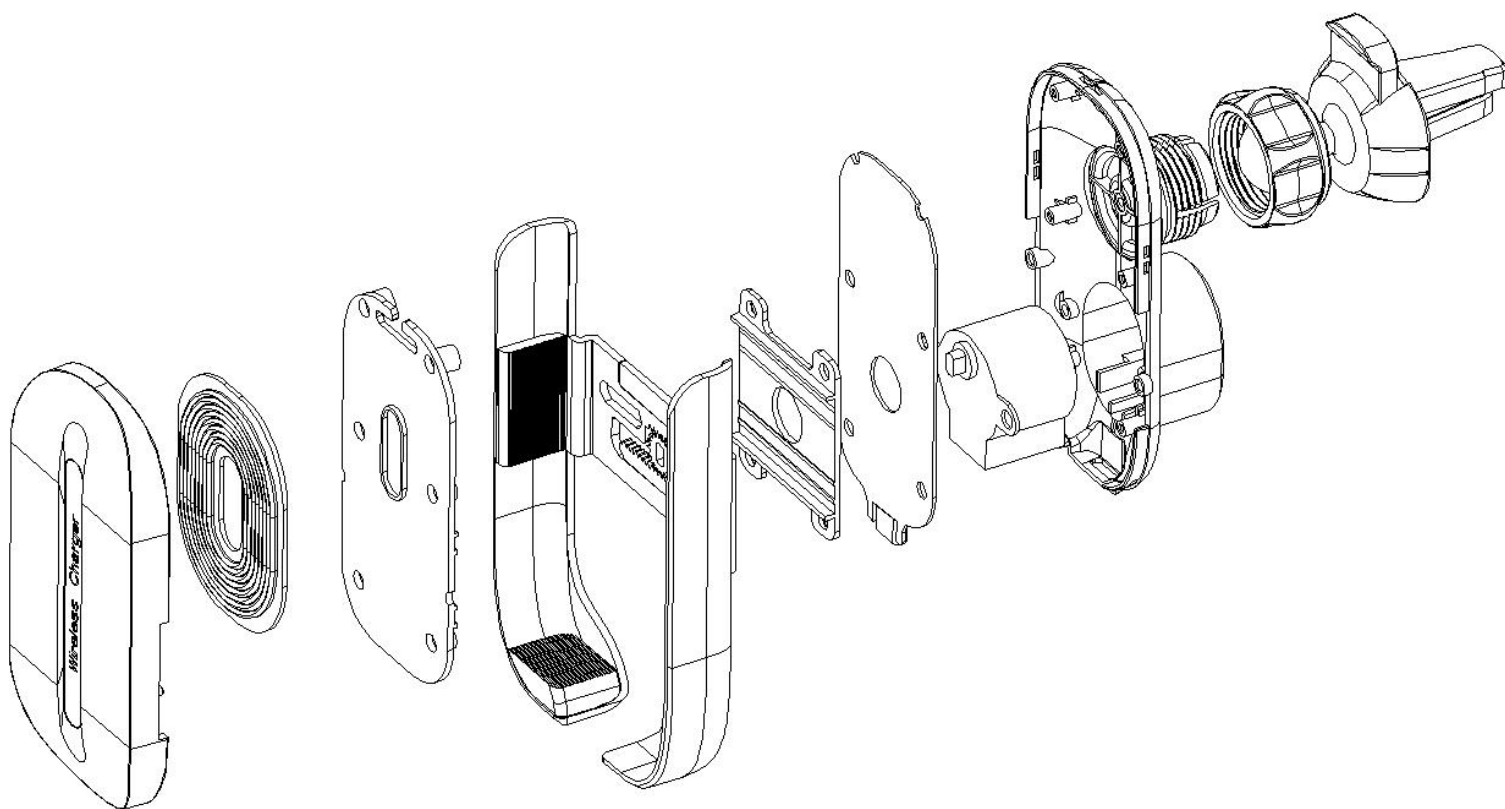


# Shenzhen LANTASI Technology Co., Ltd

## CW10 Specification

### Wireless Charger Car Accessory



# Shenzhen LANTASI Technology Co., Ltd

## CW10 Specification

### 1. Product Introduction

CW10 is a vehicle-mounted wireless fast charging transmitter. The wireless transmission scheme of TS01 is compatible and conforms to the Qi standard. It supports wireless fast charging, which can realize the quickly charging of wireless charging equipment. Simple and generous design, easy to operate, to ensure a good experience of wireless charging.

### 2. Transmission Specification

Item	Specification
Charge standard	Qi-EPP/ Samsung quick charge
Input	DC 5V-3A, DC 9V-1.67A
Input voltage	5V/9V
Interface	Type-C USB (Support QC2.0 above)
Max. Output watt	15W
Static power	<0.2W
Charging distance	5-8mm
Charge conversion	≥ 76%
Charging area	20mm*10mm
Supported device	1 piece
Certificate	CE/FCC/RoHS
Coil type	C10 Coil module
Coil quantity	1 piece
Product size	72*120*95mm
Protection function	Over-current, over-voltage, over temperature, shortcut, FOD

# Shenzhen LANTAI Technology Co., Ltd

## CW10 Specification

### 3. Adapter Specification

Input Voltage: 100Vac –240Vac  
Output Voltage: 5V±5%/9V±5  
Rated current: 2.0A  
Input frequency: 47Hz –63Hz  
Standby power consumption: < 0.3W

### 4. Work and Storage Condition

Work temperature: -10 to +60°C  
Storage temperature: -20 to +70°C

### 5. Material

ABS+PC(Fire insulating material)+Anodic oxidation of aluminium alloy      RoHS